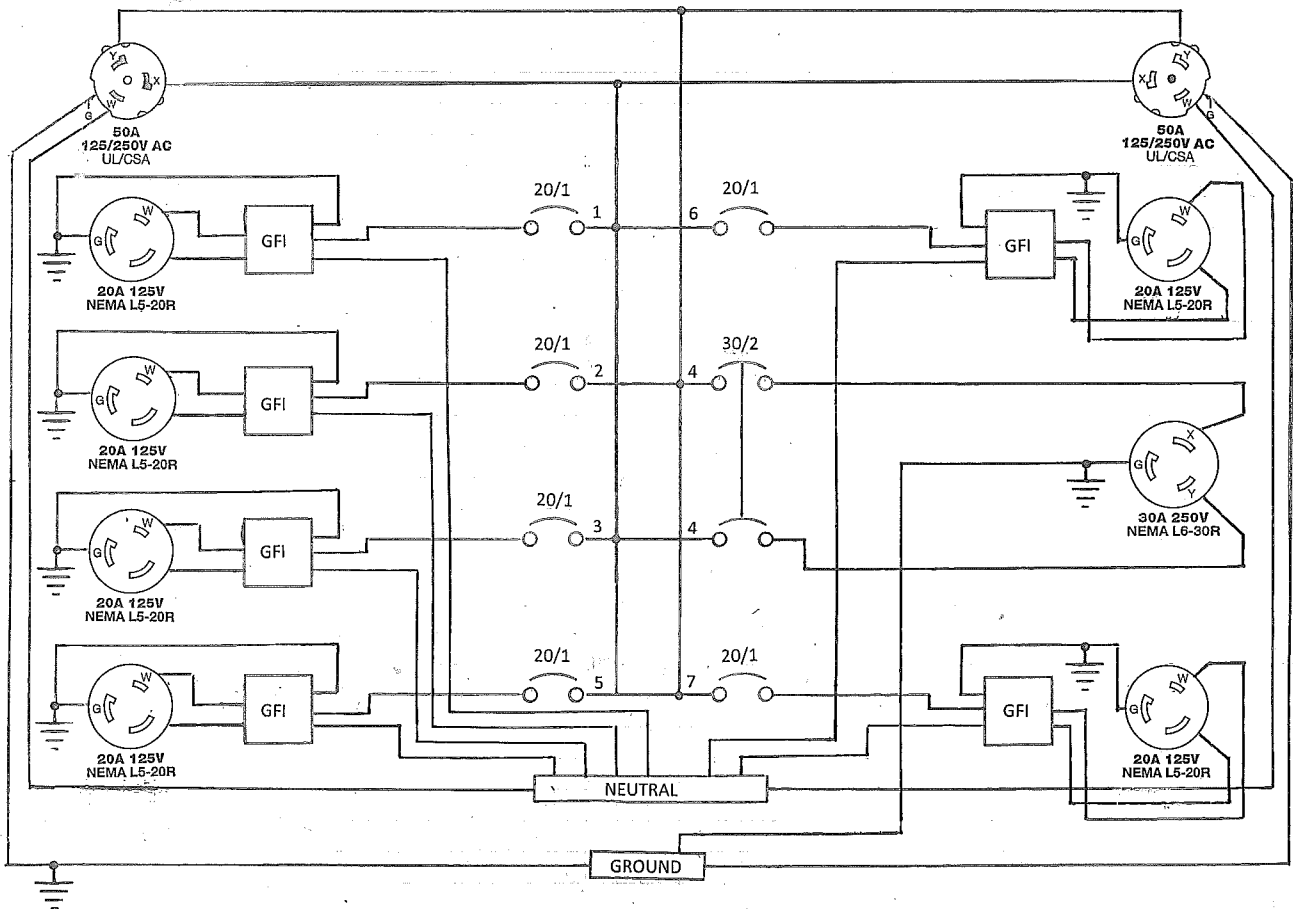


STAINLESS STEEL



PROPRIETARY AND CONFIDENTIAL
 THE INFORMATION CONTAINED IN THIS DRAWING IS THE SOLE PROPERTY OF CONSTRUCTION ELECTRICAL PRODUCTS. ANY REPRODUCTION IN PART OR AS A WHOLE WITHOUT THE WRITTEN PERMISSION OF CONSTRUCTION ELECTRICAL PRODUCTS IS PROHIBITED.

C/E/P CONSTRUCTION ELECTRICAL PRODUCTS
 7800 Los Positas Road
 Livermore, CA 94551
 Phone: 925-828-9420

	NAME	DATE
DRAWN	S.S.	12/21
CHECKED		
ENG. APPR.	S.S.	12/21
MFG. APPR.		
Q.A.		

COMMENTS:
STAINLESS STEEL
 DATE: 12-21-12

TITLE	8706G DISTRIBUTION BOX	
DRAWING #	806G-01	REV. 0